

Model: LFS-FLD

Material:

- Extruded aluminum (6063-T6)
- Corrugated Steel panels Kynar finish

Fabrication Method:

- Fully welded frame with mechanically fastened supports

FLD - Standard Fascia Profile:

- 6"
Call for additional fascia profiles

Decking:

- M-Cor corrugated metal sheet
- U-Panel

Water Dispersal:

- Include scupper (s)
- Optional downspout (s) available

Width:

- Unlimited
- Frame sections up to 24'0"

Support:

- 1" aluminum hanger rod
- 6" x 6" aluminum plate escutcheon plate
- 10'-0" max spacing

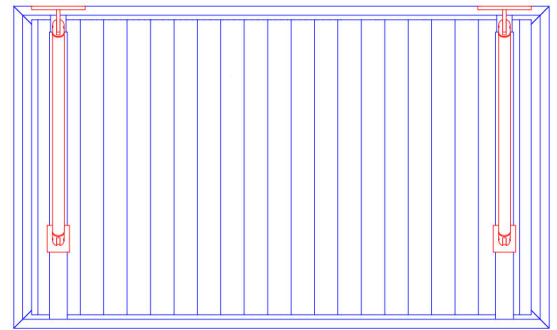
Finish:

- AAMA 2603 Compliant Powder Coat 1 yr warranty
- AAMA 2604 Compliant Powder Coat 5 yr warranty
- AAMA 2605 Compliant Finish 10 yr warranty
- 2-part Polyurethane Factory Applied Finish
- Decking has Kynar Finish

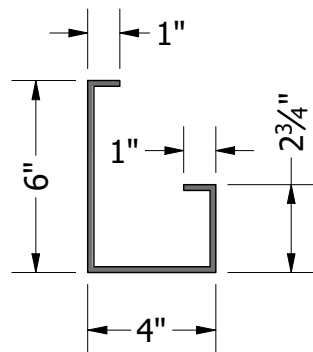
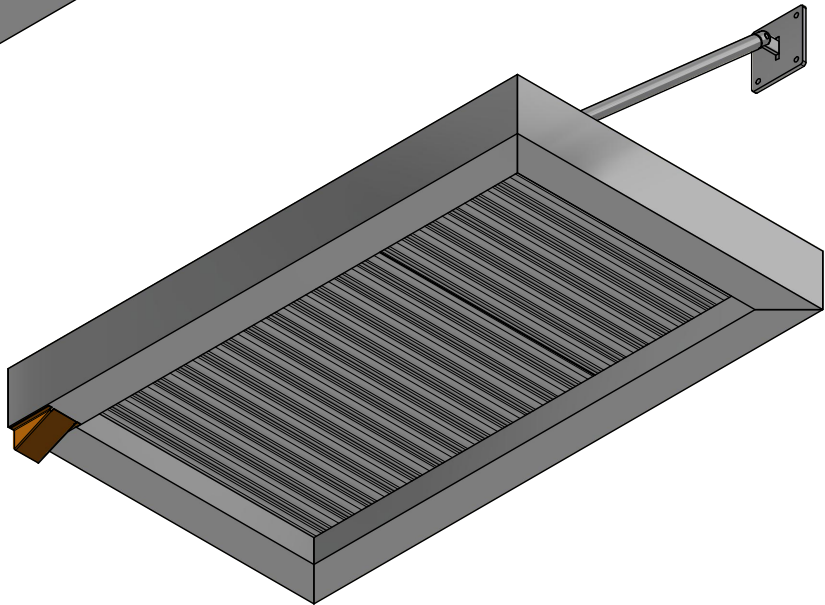
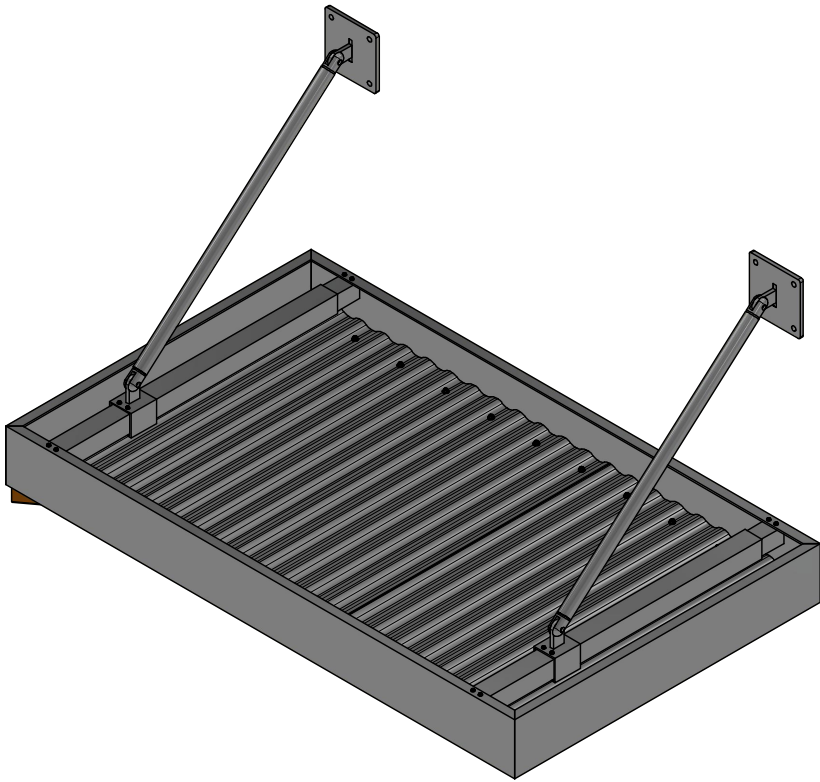
Projection:

- 2' typical without hanger rods. Please inquire if a greater projection is needed
- Up to 6' typical with hanger rods. Please inquire if a greater projection is needed

Call for any further details including but not limited to material, temper, thickness, paint and design.



LFS-FLD



6" GUTTER PROFILE

FLAT METAL CANOPIES LFS-FLD

LAWRENCE
FABRIC & METAL STRUCTURES



"YOUR IMAGINATION IS OUR VISION"



Lawrence Fabric & Metal Structures, Inc || 3509 Tree Court Industrial Blvd., St. Louis, MO 63122
Phone: (636)861-0100 || Fax: (636)861-0150 || Email: sales@lawrencefabric.com || Web: www.lawrencefabric.com



An Employee Owned Company