

Material:

- Extruded aluminum (6063-T6)

Model: LFS-FLA/LFS-FLCA**Fabrication Method:**

- Fully welded frame with mechanically fastened supports

FLA - Standard Fascia Profile:

- 8", 12" in stock (Over 12" requires upper or lower extension)
- 6", 10" (check availability)

FLCA - Channel Fascia Profile:

- 8", 12"

Decking:

- 3" x 6" aluminum (6063-T6) interlocking pan
- M-Core corrugated metal sheet
- U-Panel corrugated metal sheet

Water Dispersal:

- Include scupper (s)
- Include sleeve to accommodate downspout

Width:

- Unlimited
- Frame sections of 24'0" – 30'0" max (if larger inquire)

Support:

- .750" or 1" dia. stainless-steel hanger rod
- 1" aluminum hanger rod
- 6" x 6" aluminum or steel plate escutcheon plate
- 10'-0" max spacing

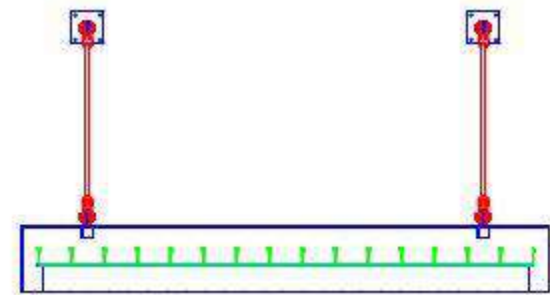
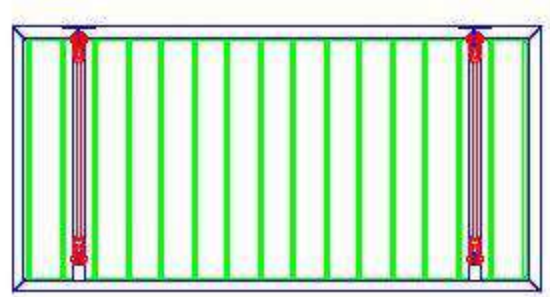
Finish:

- AAMA 2603 Compliant Powder Coat 1 yr warranty
- AAMA 2604 Compliant Powder Coat 5 yr warranty
- AAMA 2605 Compliant Finish 10 yr warranty
- AAMA 2604 Compliant Special Wood Grain (aluminum interlocking pans only)
- 2-part Polyurethane Factory Applied Finish
- Kynar Finish Available Upon Request

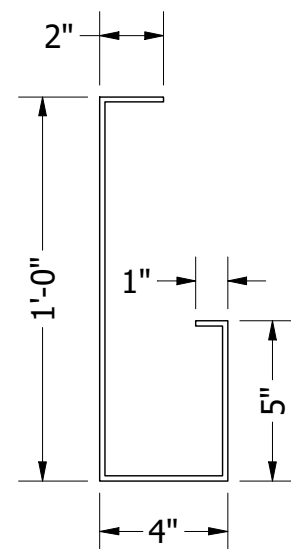
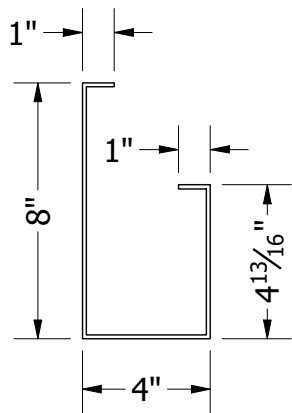
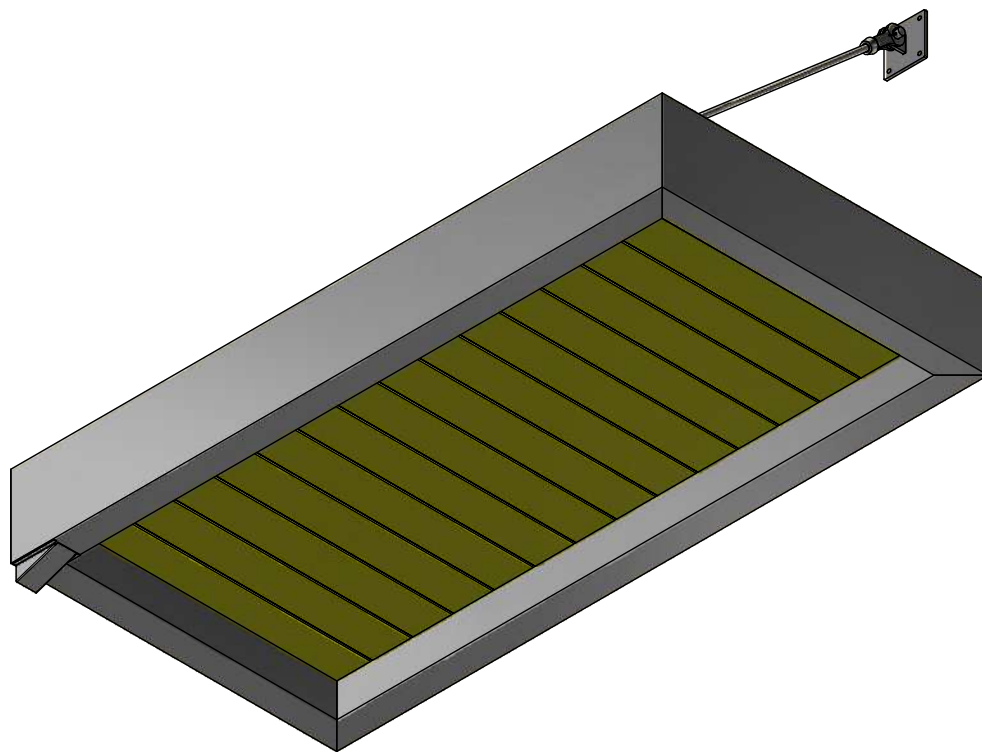
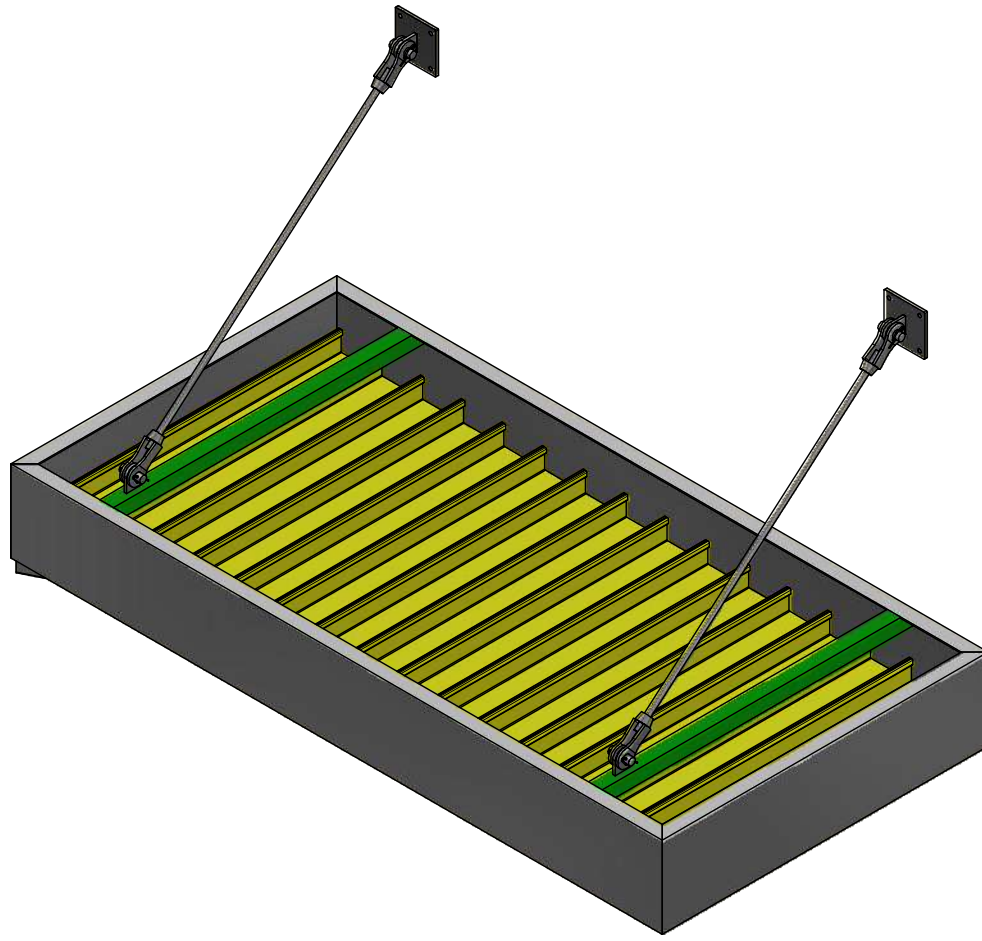
Projection:

- 2' typical without hanger rods. Please inquire if a greater projection is needed
- 10' typical with hanger rods. Please inquire if a greater projection is needed

Call for any further details including but not limited to material, temper, thickness, paint and design.



LFS-FLA



STANDARD 8" PROFILE

STANDARD 12" PROFILE

FLAT METAL CANOPIES LFS - FLA

LAWRENCE
FABRIC & METAL STRUCTURES



"YOUR IMAGINATION IS OUR VISION"

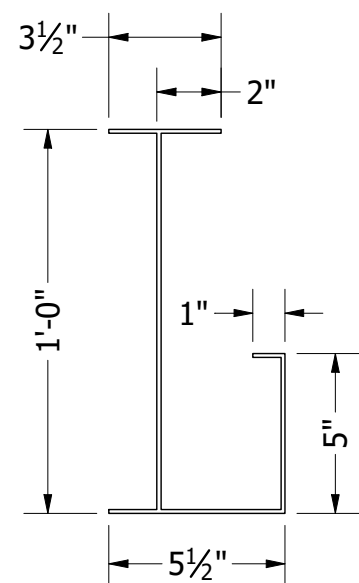
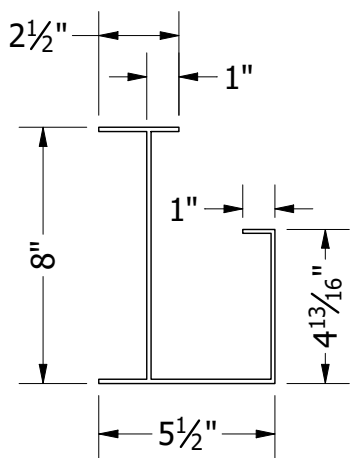
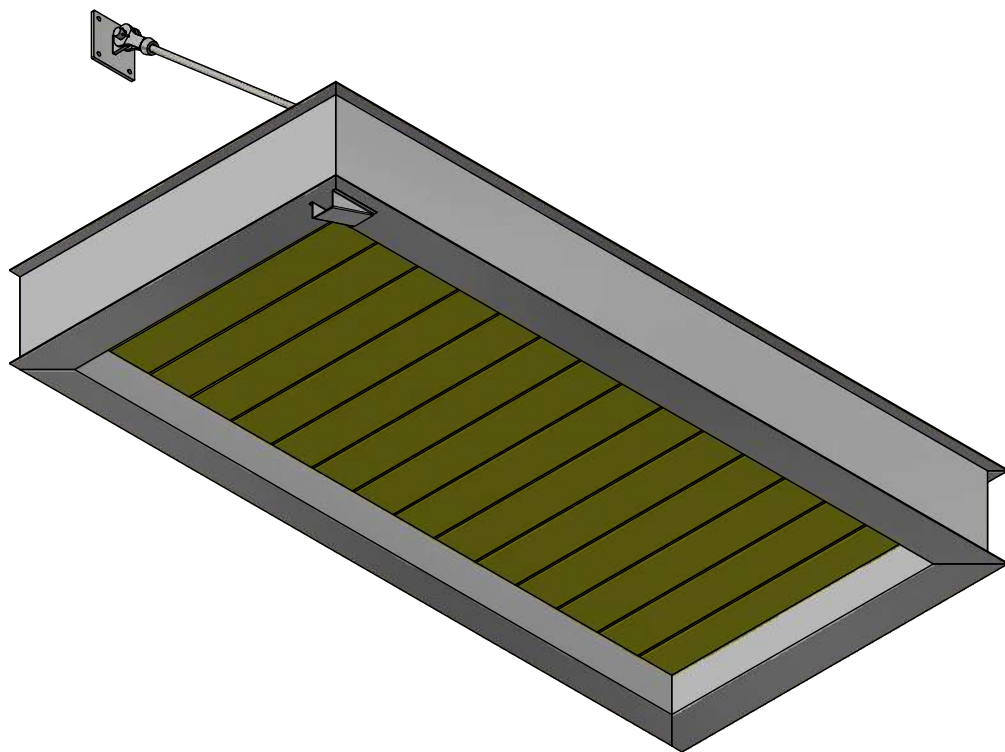
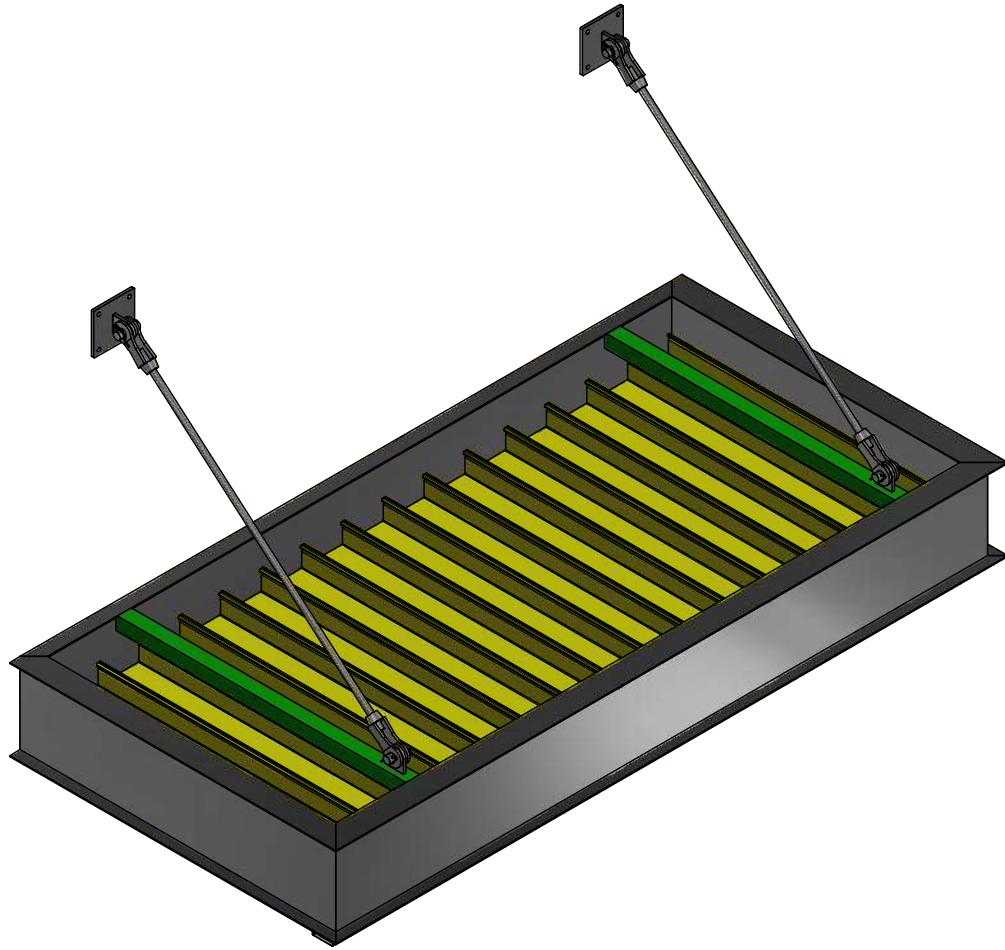


Lawrence Fabric & Metal Structures, Inc || 3509 Tree Court Industrial Blvd., St. Louis, MO 63122
Phone: (636)861-0100 || Fax: (636)861-0150 || Email: sales@lawrencefabric.com || Web: www.lawrencefabric.com



An Employee Owned Company

LFS-FLCA



8" PROFILE WITH FLANGE

12" PROFILE WITH FLANGE

FLAT METAL CANOPIES LFS - FLCA

LAWRENCE
FABRIC & METAL STRUCTURES



"YOUR IMAGINATION IS OUR VISION"



Lawrence Fabric & Metal Structures, Inc || 3509 Tree Court Industrial Blvd., St. Louis, MO 63122
Phone: (636)861-0100 || Fax: (636)861-0150 || Email: sales@lawrencefabric.com || Web: www.lawrencefabric.com



An Employee Owned Company