

Fabric Awnings

*Standing Seam /
Metal Clad*

*Tension
Structures*

*Exhibit
Components*

Banners

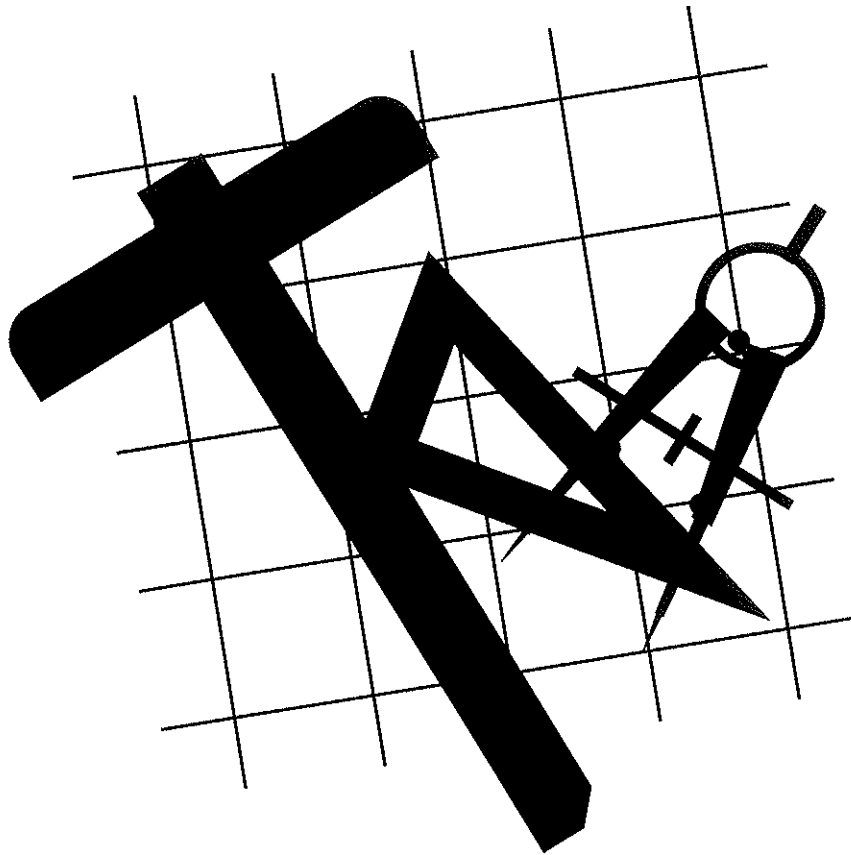
*Architectural
Ornamentation*

*Custom
Lettering
and Graphics*

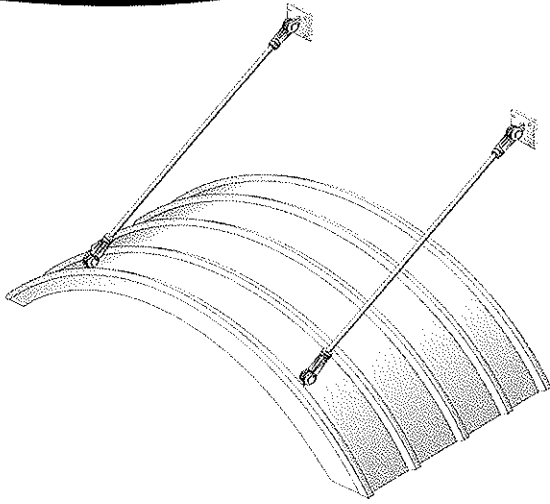
*Commercial
and Industrial
Coverings*

*Automated
Cutting and
Patterning*

Typical Metal Structure Specifications Guide



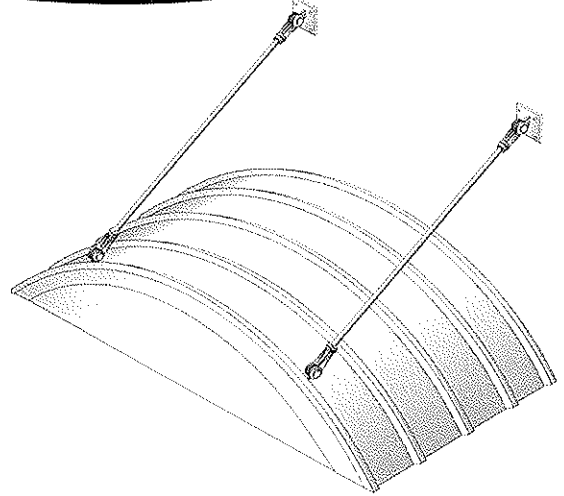
LFS AEB - Metal



Options

- Aluminum tubing sheet metal or standing seam fascia
- Mechanically attached sheet metal top or standard color standing seam cover
- Painted exposed framework at bottom
- Painted mechanically attached bottom
- Galvanized or stainless steel upper support rod assemblies or lower support posts

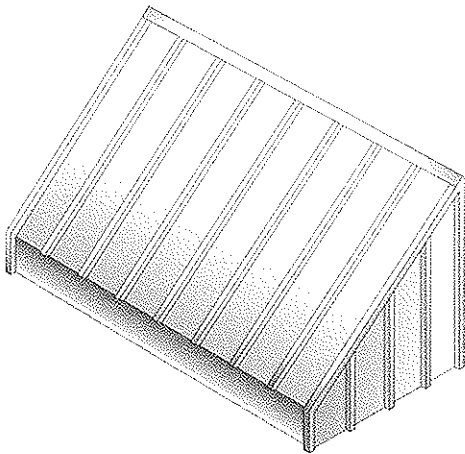
LFS AC - Metal (closed face)



Options

- Aluminum tubing sheet metal or standing seam fascia
- Mechanically attached sheet metal top or standard color standing seam cover
- Painted exposed framework at bottom
- Painted mechanically attached bottom
- Galvanized or stainless steel upper support rod assemblies or lower support posts

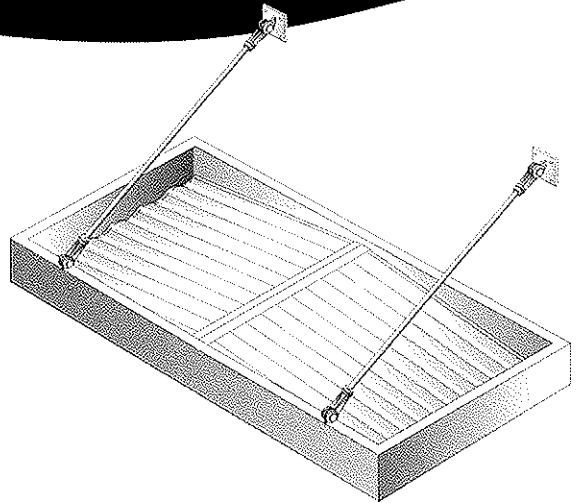
LFS TR - Metal



Options

- Mill finish or painted aluminum tubing frame
- 12" or 16" standing seam, corrugated sheet or aluminum sheet metal on slope, sides and trim
- Sheet aluminum box valance
- Standard or custom painted color
- Painted support posts

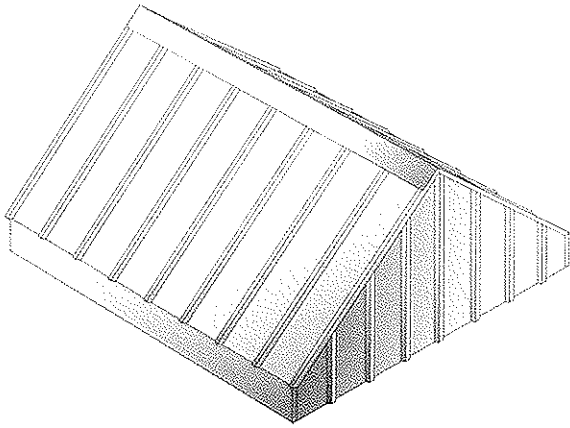
LFS FL - Metal



Options

- Aluminum Channel or tubing perimeter: 6", 8", 10", 12" or custom height
- Water Dispersement: sides, front or rear, internal gutter to downspout
- Standard color choices or match any painted color
- Galvanized or stainless steel upper support rod assemblies or lower support posts

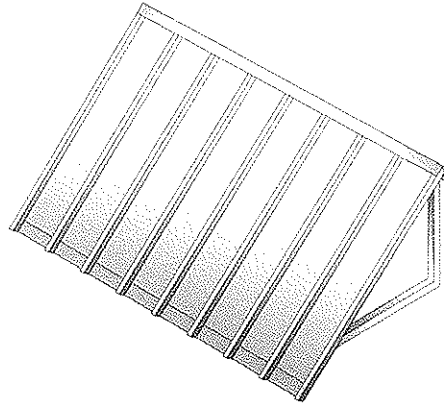
LFS GB - Metal



Options

- Mill finish or painted aluminum tubing frame
- 12" or 16" standing seam, corrugated sheet or aluminum sheet metal on slopes, faces and trim
- Sheet metal aluminum box valances
- Standard or custom painted color
- Painted support posts

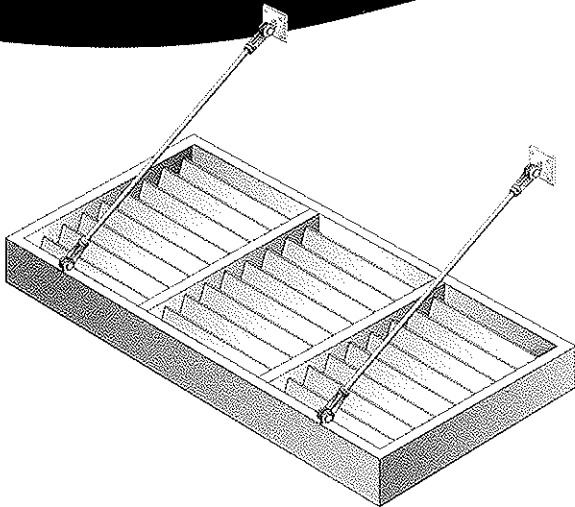
LFS SLP - Metal



Options

- Mill finish or painted aluminum tubing frame
- 12" or 16" standing seam, corrugated sheet or aluminum sheet metal on slope and trim
- Standard or custom painted color on slope and trim

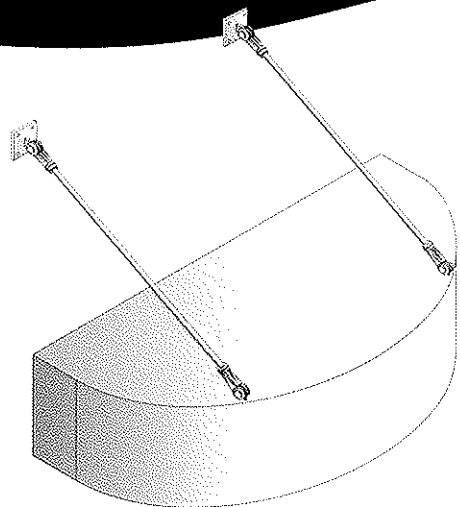
LFS FLV - Metal



Options

- Louver spacing and angle
- Rafter spacing
- Aluminum channel or tubing perimeter: 4", 6", 8", 10", 12" or custom height
- Rectangular aluminum bar louvers or air foil shape louvers
- Match any painted color
- Galvanized or stainless steel upper support rod assemblies or lower support posts

LFS CF - Metal



Options

- Custom height mechanically attached aluminum sheet metal fascia
- Waterjet-cut to fit and mechanically attached top and bottom aluminum sheet
- Open top with internal water dispersion scupper and spout
- Internal aluminum tubing bracing for downlighting
- Downlighting fixtures
- Galvanized or stainless steel upper support rod assemblies or lower support posts



Awnings & Canopies
Creating Lasting Impressions

Exhibit Components
Constructing Art. Shaping Image.

Industrial Fabrication