

**Application**

Lawrence's LFS-FLA canopy has a unique design to provide protection against adverse weather and sun protection. All of our canopies can be customized to match your unique project.

LFS-FLA Specifications:**Material:**

- extruded aluminum

Fabrication Method:

- welded and mechanically fastened

Finish:

- 2 part polyurethane paint
- powder coated
- Kynar finish available upon request

Decking:

- aluminum interlocking pan

Standard Fascia Profile:

- 6", 8", 10", 12" gutter fascia
- over 12" requires upper or lower extension

Channel Fascia Profile:

- 8", 12" gutter fascia

Gutter Beam

- interior alum channel
- scupper (optional)
- downspouts (optional)

Width:

- unlimited
- sections of 20'0" – 30'0" max

Support (optional)

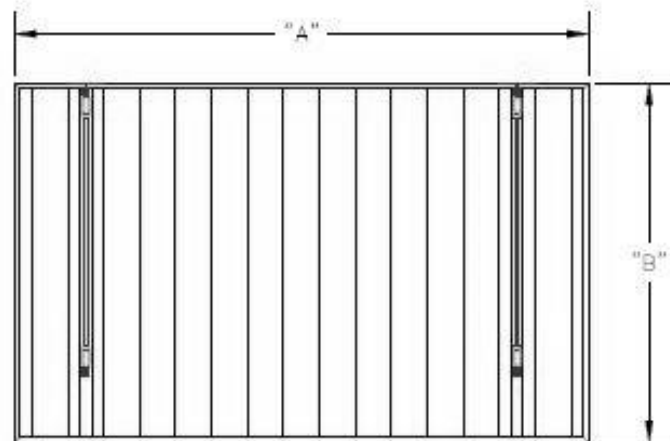
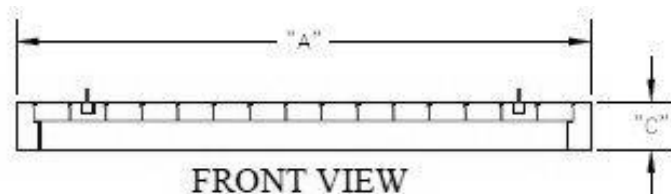
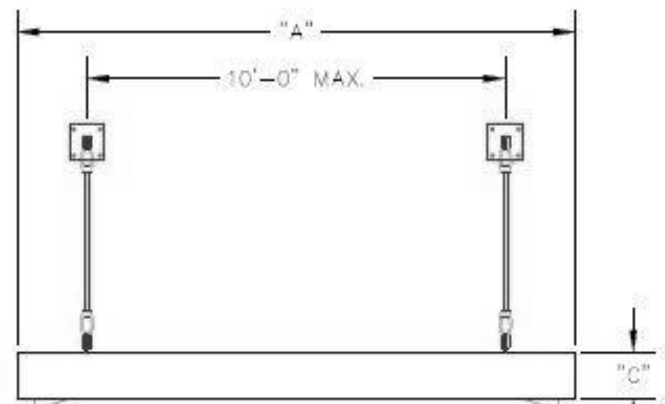
- .500", .750" or 1" dia. galvanized or stainless steel rod
- 6" x 6" aluminum, galvanized or stainless steel plate
- 10'-0" max spacing

Underside Finish

- open to interlocking pans

Projection:

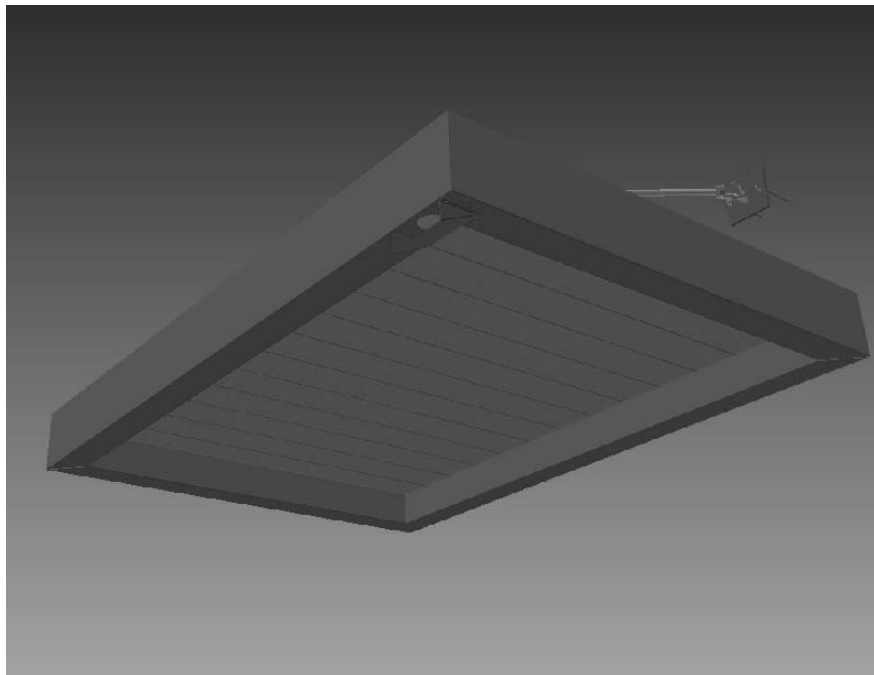
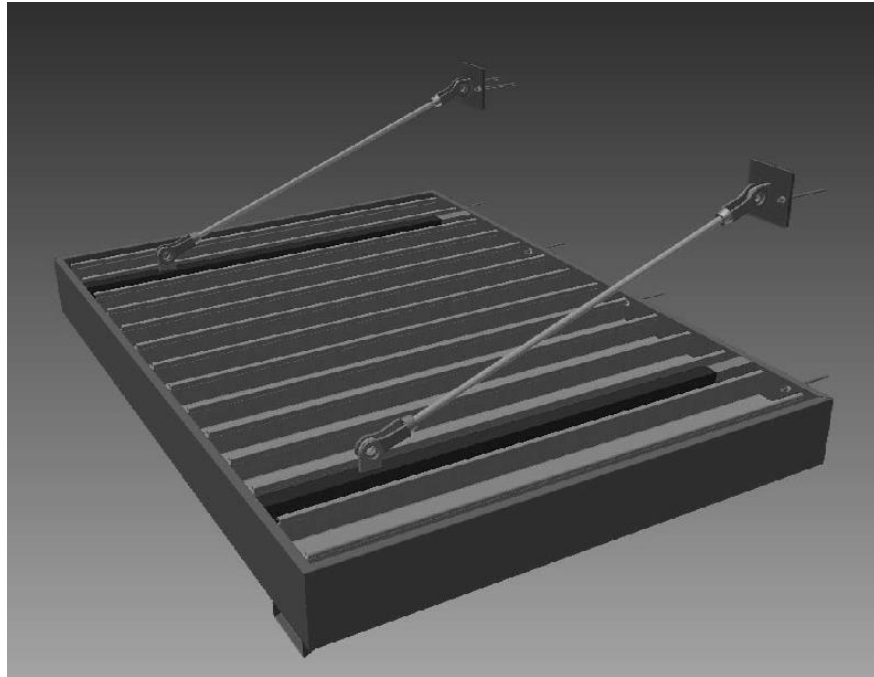
- 2' typical without hanger rods
Please inquire if a greater protection is needed
- 10' typical with hanger rods
Please inquire if a greater protection is needed.

**PLAN VIEW****FRONT VIEW
CROSS SECTION VIEW****FRONT VIEW**

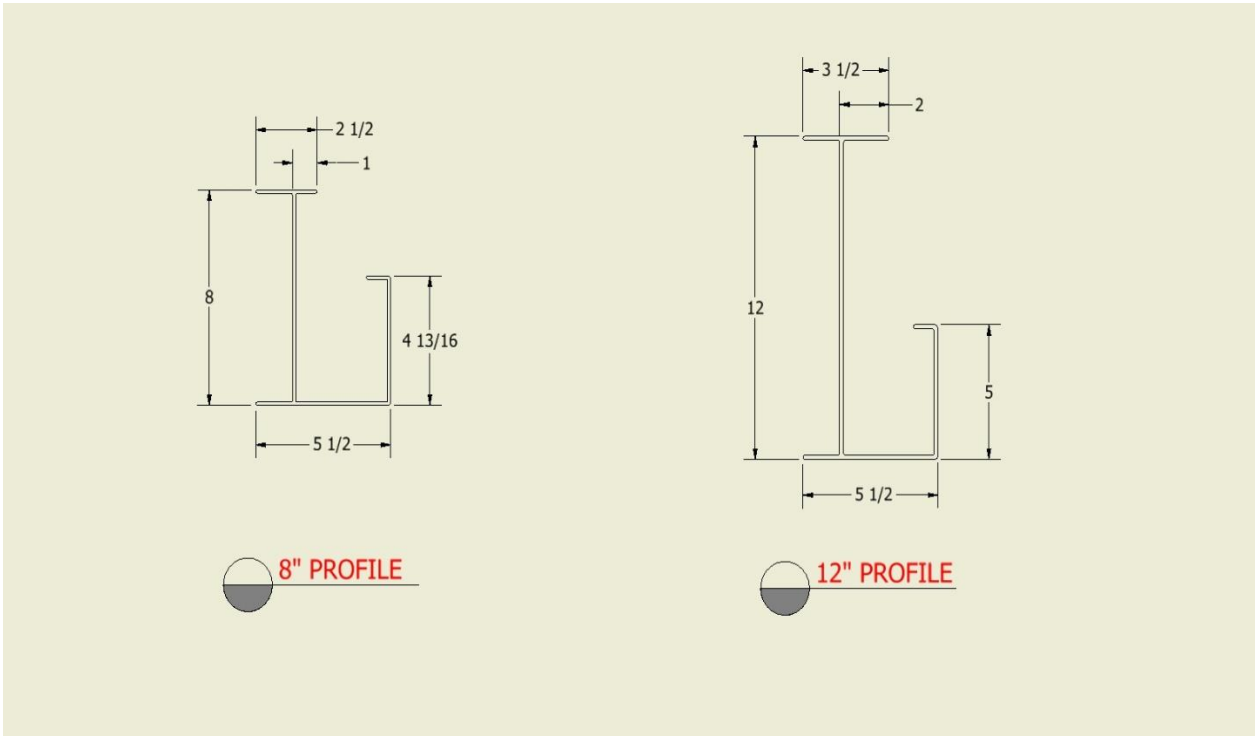
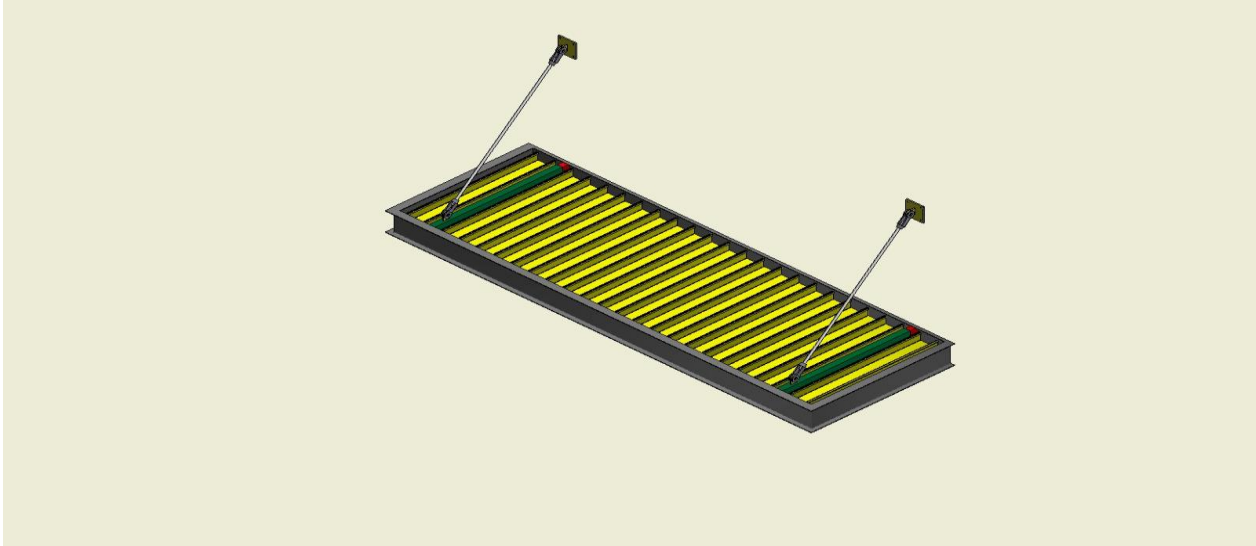
Call for any further details including but not limited to material, temper, thickness, paint and design.



Standard Fascia



Channel Fascia





Part 1: General

1.1 Description of Work

A. Work in this section includes furnishing and installation of extruded aluminum overhead hanger rod style canopies as manufactured by Lawrence Fabric and Metal Structures, Inc.

B. Related Items and Considerations

1. Flashing of various designs may be required. Supplied as required.
2. Determine wall construction, make-up, and thickness.
3. Ensure adequate wall condition to carry canopy loads required.
4. Consider water drainage away from canopy where necessary.
5. Any necessary removal or relocation of existing structures, obstructions or

Materials to be determined.

1.2 Quality Assurance

A. Products meeting specifications standards of quality required as manufactured by Lawrence Fabric and Metal Structures, Inc. St. Louis, MO 1-800-527-3840.

1.3 Field Measurement

- A. Confirm dimensions prior to preparation of shop drawings if at all possible.
- B. If requested, supply manufacturer's standard literature and specifications for canopies.
- C. Submit shop drawings showing structural component locations/positions, material Dimensions, and details of construction, as well as assembly.

1.4 Performance Requirements

- A. Canopy must conform to local building codes.
- B. Determine if specific load requirements have been established for canopies and if stamped calculations are required for location in which canopy is installed.

1.5 Deliver, Storage, Handling

- A. Deliver and store all canopy components in protected areas.

Part 2: Products

2.1 Manufacturer

A. Lawrence Fabric and Metal Structures, Inc. LFS-FLA Canopies
St. Louis, MO
Phone: 1-800-527-3840.
Fax: 1-636-861-0150

B. NO SUBSTITUTIONS ALLOWED.

2.2 Materials

- A. Decking and fascia shall be extruded aluminum, alloy 6063-T6, in profile and thickness shown in specific LFS literature.
- B. Decking shall be 3" x 6" extruded .065 or .078" aluminum
- C. Hanger rods and attachment hardware shall be finished to match the canopy.
- D. Fascia shall be standard 8" extruded "G" style gutter style .125 aluminum

2.3 Finishes

- A. Standard factory finish is two-part polyurethane enamel paint finish.
- B. Optional finishes include Powder Coating and Kynar

2.4 Fabrication

- A. All deck connections shall be mechanically assembled utilizing 3/16" fasteners with a

minimum shear stress of 350 lb. The perimeter G fascia will be welded as one piece or in sections, depending on width of canopy.

B. Decking shall be designed with interlocking extruded aluminum members with mechanical fasteners applied to provide structural integrity for the completed assembly.

C. Concealed drainage. Water shall drain from covered surfaces into integral fascia gutter and directed to either the front for front scupper drainage or to the rear for ground level discharge via one or more designated downspouts.

Part 3: Execution

3.1 Inspection

A. Confirm that surrounding area is ready for the canopy installation.

B. Installer shall confirm dimensions and elevations to be as shown on drawings provided by Lawrence Fabric and Metal Structures, Inc.

C. Erection shall be performed by an approved installer and scheduled after all concrete, masonry and roofing in the area is completed

3.2 Installation

A. Installation shall be in strict accordance with LFS shop drawings.

Particular attention should be given to protecting the finish during handling and erection.

3.3 After installation, entire system shall be left in a clean condition.