



Application

Lawrence’s traditional canopy has a unique design to provide protection against adverse weather and sun protection. All of our canopies can be customized to match your unique project.

LFS TR (without box) Specifications:

Material:

- extruded aluminum frame
- substrate options:
 - flat aluminum sheet
 - standing seam steel
 - corrugated steel

Fabrication Method:

- welded
- mechanically fastened

Finish:

- 2 part poly-urethane paint
- powder coated
- Kynar finish (standing seam and corrugated sheet only)

Box height:

- no box
- custom height box: 2", 4", 6", 8", 10" 12"

Fasteners:

- through bolt
- threaded rod with epoxy
- concrete anchor
- lag screws

Underside Finish

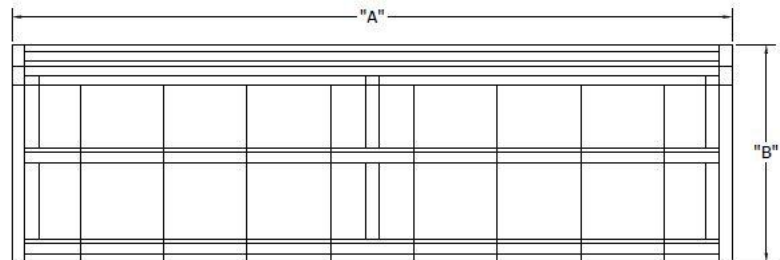
- open
- soffit

Width:

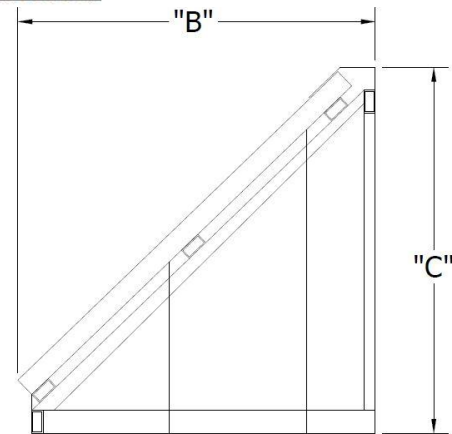
- unlimited

Projection:

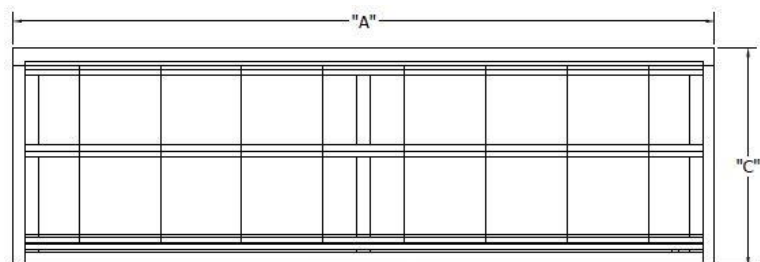
- 8' at 45° without posts
- over 8' with posts



PLAN VIEW



SIDE VIEW



FRONT VIEW

***drawings shown with standing seam
Please call for any further details including
but not limited to material, temper,
thickness, paint and design.**

**LFS TR - METAL
(WITHOUT BOX)**



Above: with box



Above: without box

