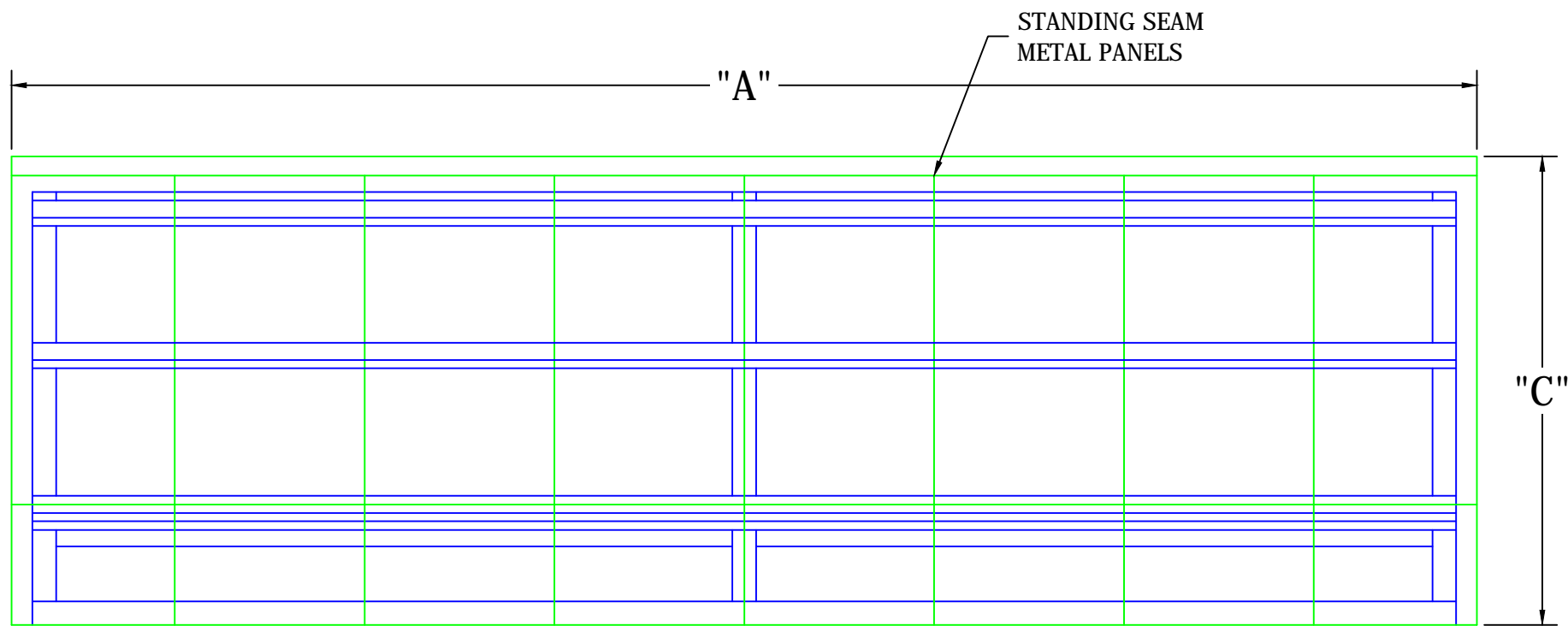
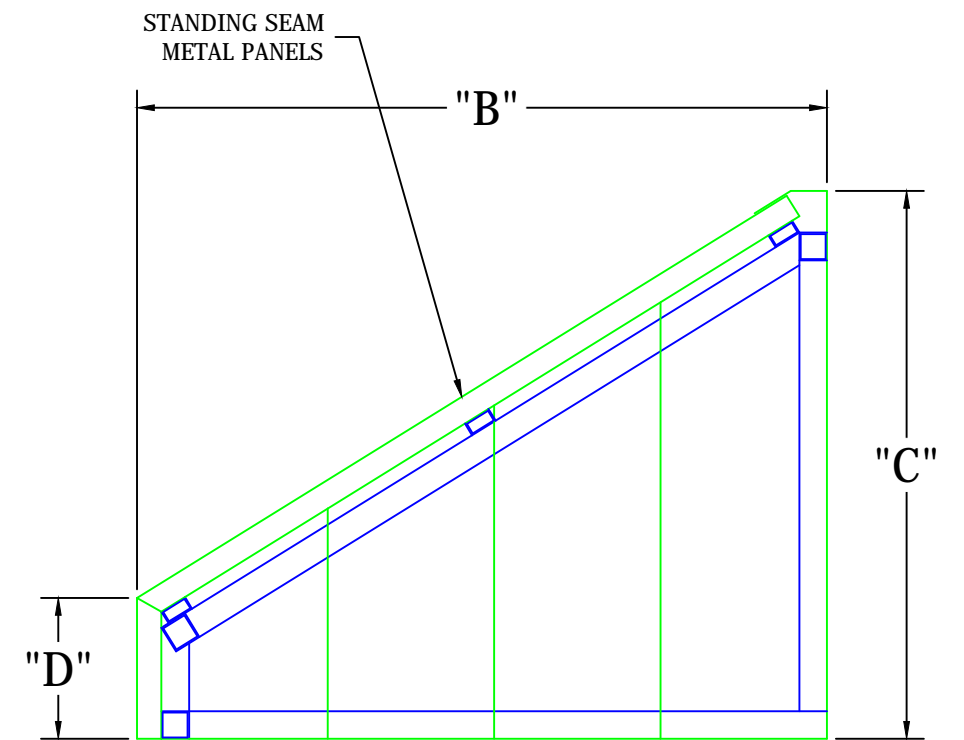


PLAN VIEW

LETTER	MEASUREMENT
A	
B	
C	
D	



FRONT VIEW



SIDE VIEW

LFS TR - METAL
(WITH BOX)