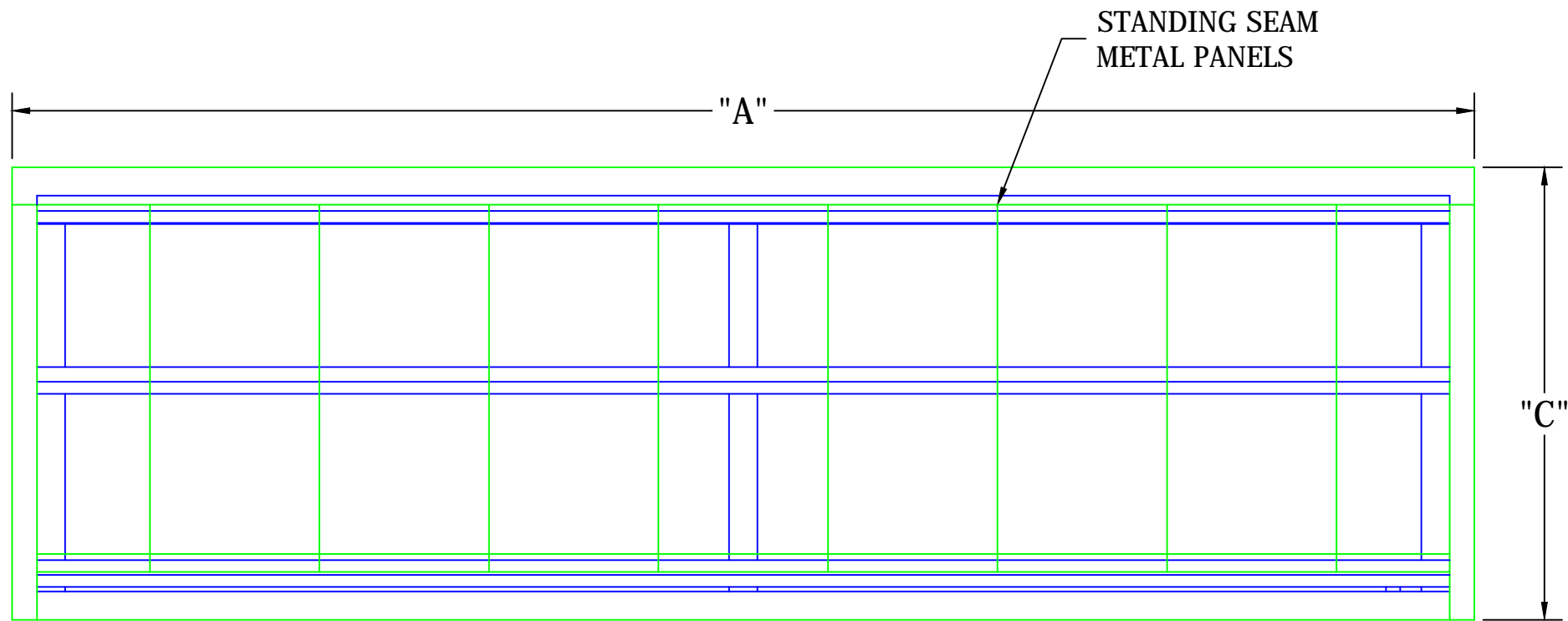
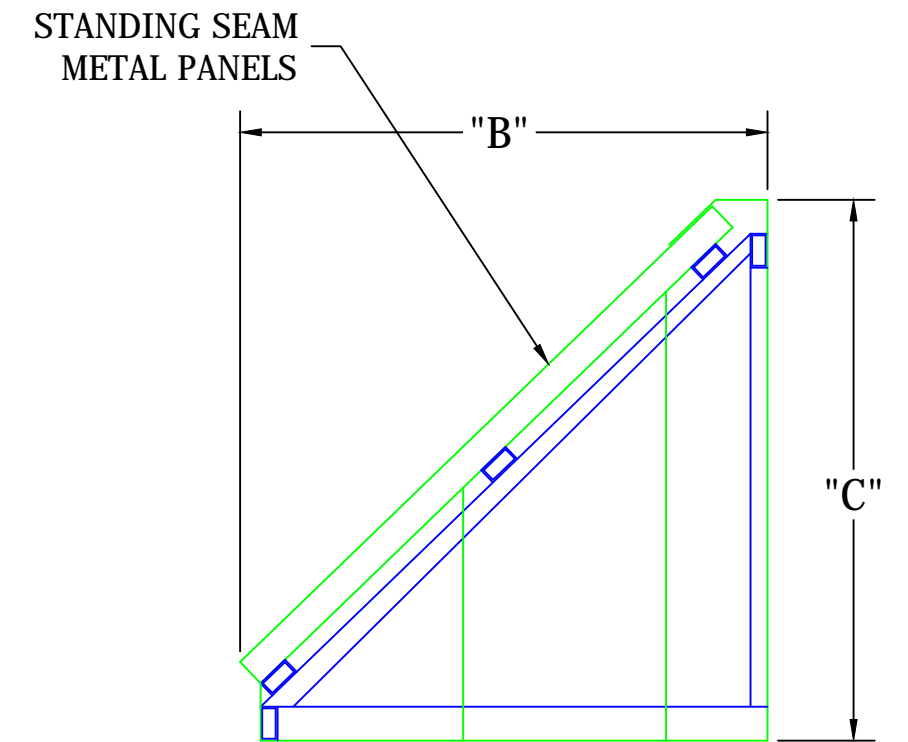


PLAN VIEW

LETTER	MEASUREMENT
A	
B	
C	



FRONT VIEW



SIDE VIEW

LFS TR - METAL  
(WITHOUT BOX)