



MODEL: LFS SLP

Application

Lawrence’s sloped canopy has a unique design to provide protection against adverse weather and sun protection. All of our canopies can be customized to match your unique project.

LFS SLP Specifications:

Material:

- extruded aluminum frame
- substrate options:
 - flat aluminum sheet
 - standing seam steel
 - corrugated steel

Fabrication Method:

- welded
- mechanically fastened

Finish:

- 2 part poly-urethane paint
- powder coated
- Kynar finish (standing seam and corrugated sheet only)

Fasteners:

- through bolt
- threaded rod with epoxy
- concrete anchor
- lag screws

Underside Finish

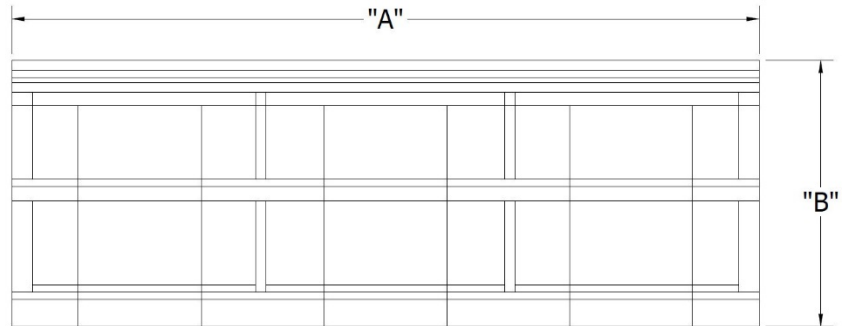
- open

Width:

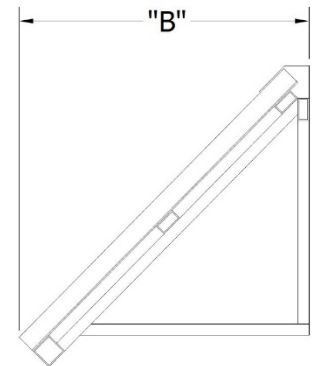
- unlimited

Projection:

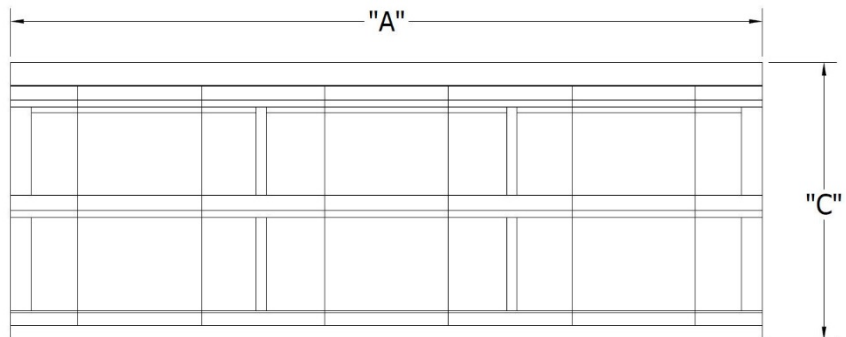
- up to 8’ at 45° without posts
- > 8’ requires support post



PLAN VIEW



SIDE VIEW



FRONT VIEW

***drawings shown with standing seam**
Please call for any further details including
but not limited to material, temper,
thickness, paint and design.



Below: Typical SLP



Below: Typical SLP with gutter



Above: custom profile SLP

