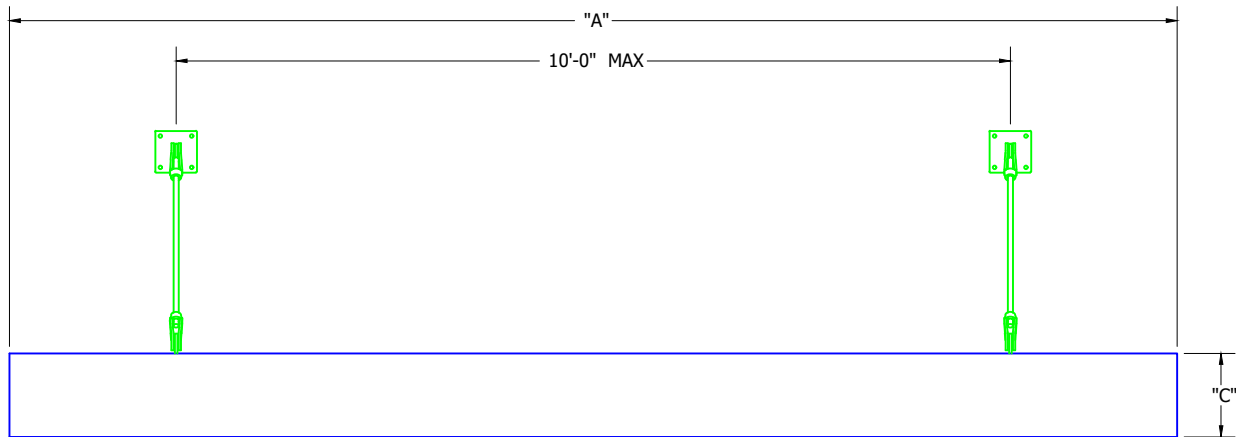
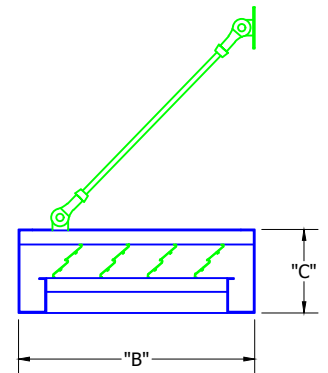


PLAN VIEW

LETTER	MEASUREMENT
A	
B	
C	



FRONT VIEW



SIDE VIEW
CROSS SECTION VIEW

LFS FLV - METAL