

**Material:**

- Extruded aluminum (6063-T6)

**Model: LFS-FLA/LFS-FLCA****Fabrication Method:**

- Fully welded frame with mechanically fastened supports

**FLA - Standard Fascia Profile:**

- 8", 12" in stock (Over 12" requires upper or lower extension)
- 6", 10" (check availability)

**FLCA - Channel Fascia Profile:**

- 8", 12"

**Decking:**

- 3" x 6" aluminum (6063-T6) interlocking pan
- M-Core corrugated metal sheet
- U-Panel corrugated metal sheet

**Water Dispersal:**

- Include scupper (s)
- Include sleeve to accommodate downspout

**Width:**

- Unlimited
- Frame sections of 24'0" – 30'0" max (if larger inquire)

**Support:**

- .750" or 1" dia. stainless-steel hanger rod
- 1" aluminum hanger rod
- 6" x 6" aluminum or steel plate escutcheon plate
- 10'-0" max spacing

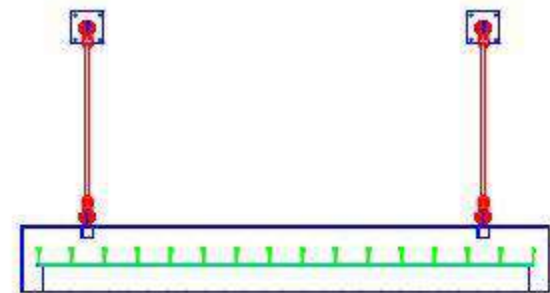
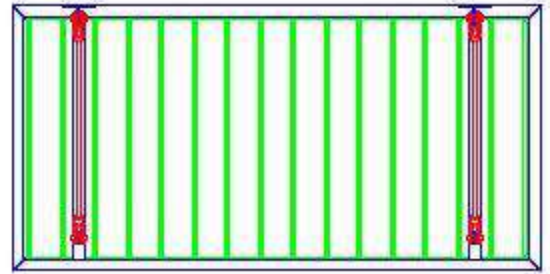
**Finish:**

- AAMA 2603 Compliant Powder Coat 1 yr warranty
- AAMA 2604 Compliant Powder Coat 5 yr warranty
- AAMA 2605 Compliant Finish 10 yr warranty
- AAMA 2604 Compliant Special Wood Grain (aluminum interlocking pans only)
- 2-part Polyurethane Factory Applied Finish
- Kynar Finish Available Upon Request

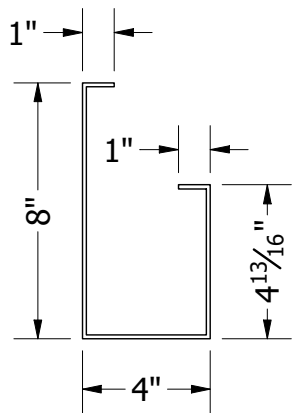
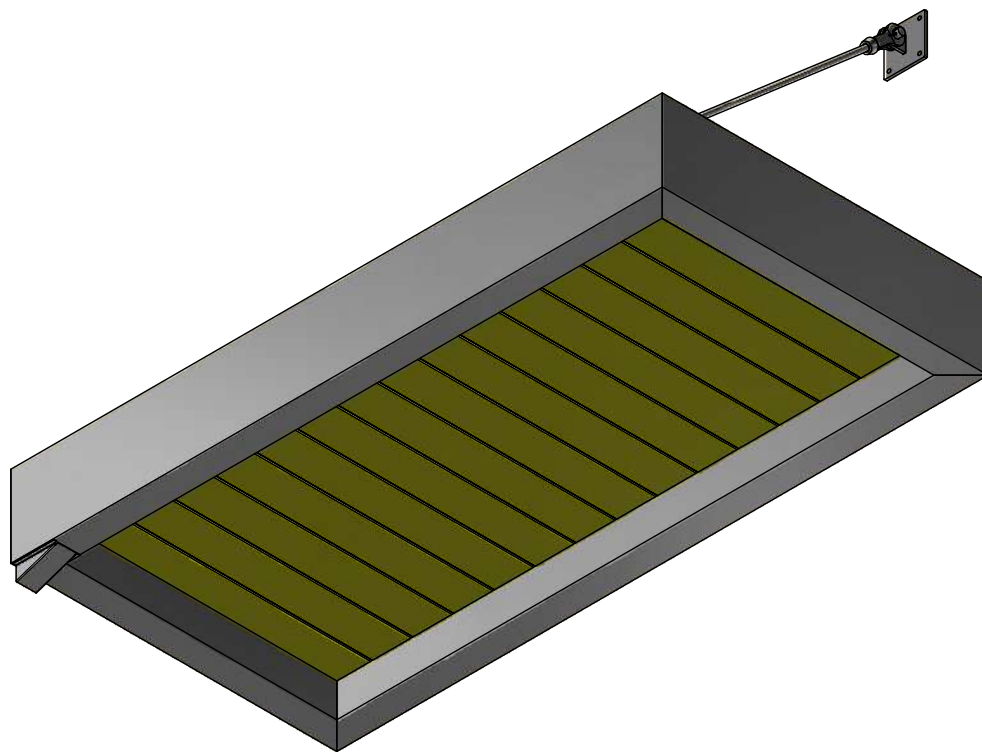
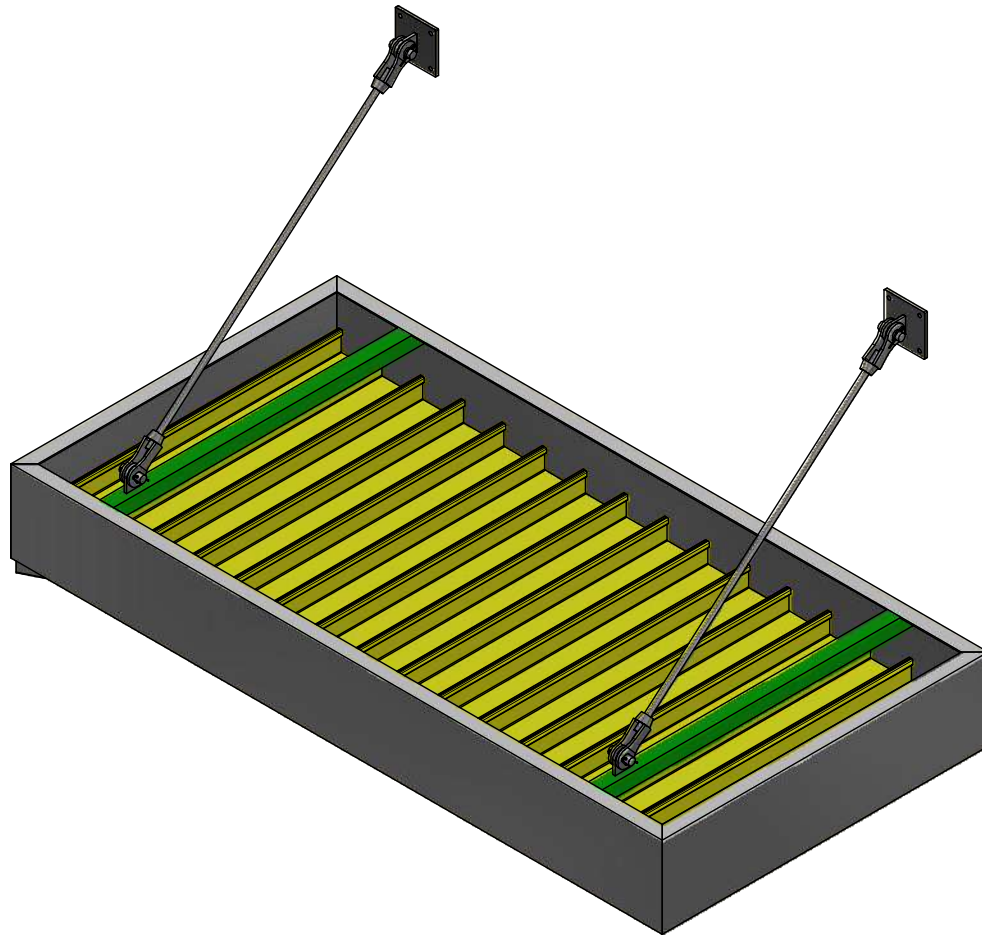
**Projection:**

- 2' typical without hanger rods. Please inquire if a greater protection is needed
- 10' typical with hanger rods. Please inquire if a greater protection is needed

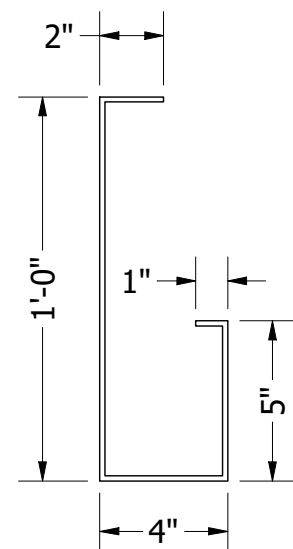
**Call for any further details including but not limited to material, temper, thickness, paint and design.**



LFS-FLA



STANDARD 8" PROFILE



STANDARD 12" PROFILE



# FLAT METAL CANOPIES LFS - FLA

**LAWRENCE**  
FABRIC & METAL STRUCTURES



**"YOUR IMAGINATION IS OUR VISION"**



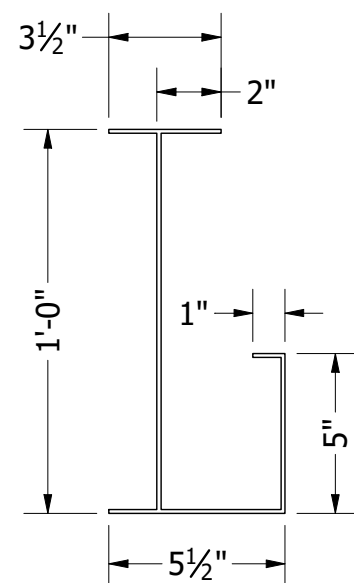
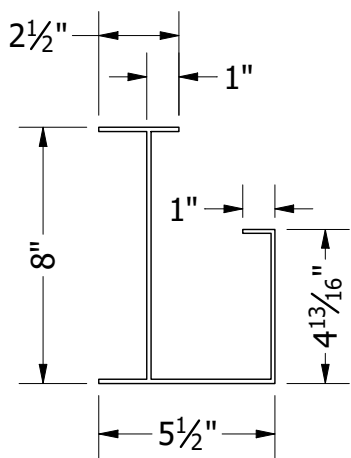
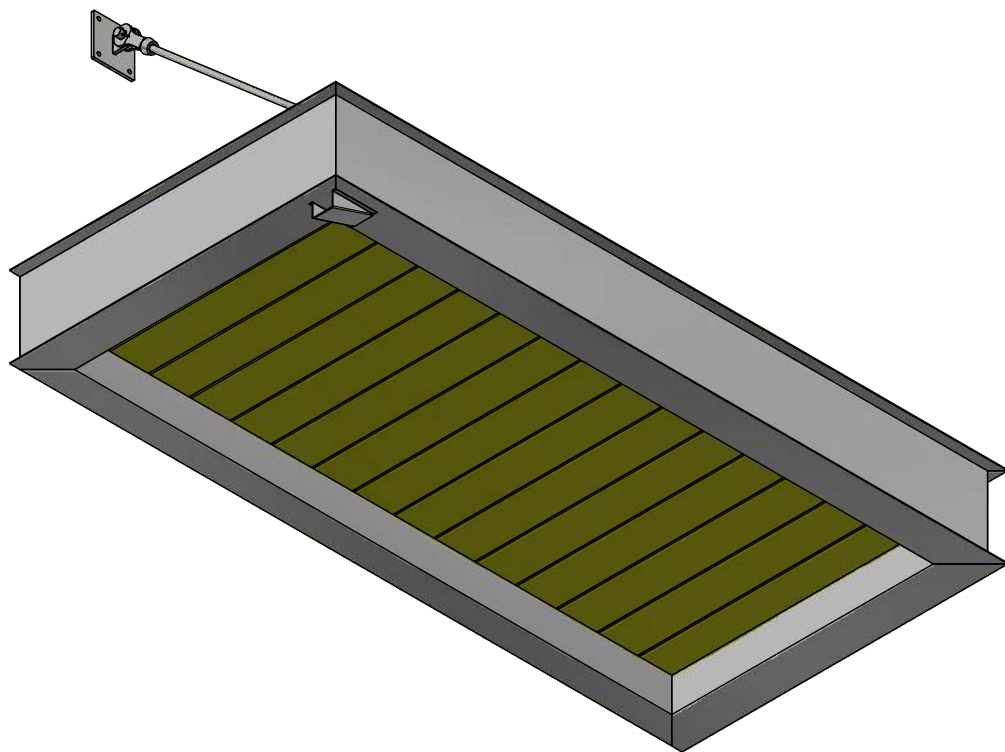
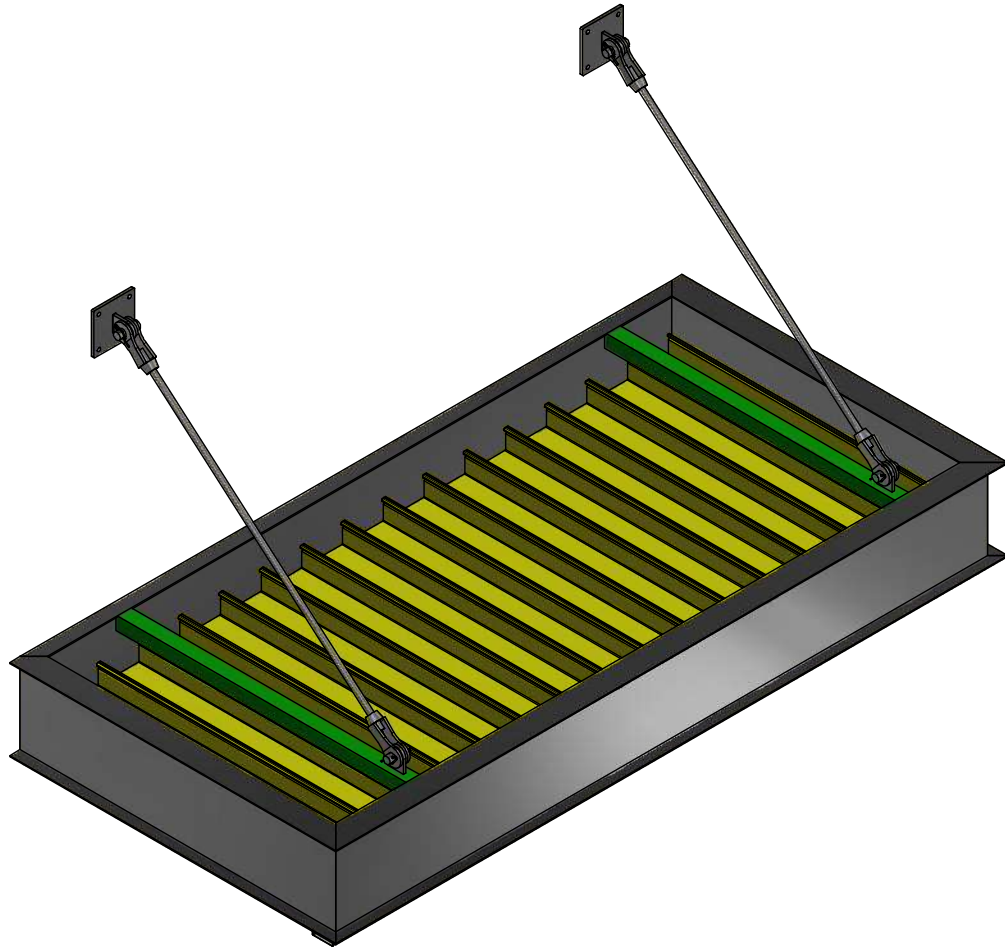
Lawrence Fabric & Metal Structures, Inc || 3509 Tree Court Industrial Blvd., St. Louis, MO 63122  
Phone: (636)861-0100 || Fax: (636)861-0150 || Email: sales@lawrencefabric.com || Web: www.lawrencefabric.com



An Employee Owned Company



LFS-FLCA



8" PROFILE WITH FLANGE

12" PROFILE WITH FLANGE



# FLAT METAL CANOPIES LFS - FLCA

**LAWRENCE**  
FABRIC & METAL STRUCTURES



**"YOUR IMAGINATION IS OUR VISION"**



Lawrence Fabric & Metal Structures, Inc || 3509 Tree Court Industrial Blvd., St. Louis, MO 63122  
Phone: (636)861-0100 || Fax: (636)861-0150 || Email: sales@lawrencefabric.com || Web: www.lawrencefabric.com



An Employee Owned Company